

ONE YEAR WARRANTY

CBSB-1 UNDER SPA MOUNT HYDRAULIC RACK STYLE

ASM Manufacturing LLC warrants this product to be free from defects in workmanship and material, under normal use and service conditions, for a one-year Warranty.

This warranty extends only to the original purchaser. What we will do to help with warranty replacement. We will repair or replace the product subject to receiving acceptable photos and or the defective parts shipped to us freight prepaid. Our warranty does not include the return shipping cost of the replacement parts and or a new cover lift.

This warranty does not extend to any product or damage to a product caused by or attributable to freight damage, abuse, misuse, improper or abnormal usage or Specifically waterlogged spa covers or for commercial, rental purposes and or used as store display models.

No other warranty beyond that specifically set forth above is authorized and we are not responsible or liable for indirect, special or consequential damages arising out of or in connection with the use or performance of the product or damages with respect to any economic loss, loss of property, loss or revenues or profits, loss of enjoyment or use, costs of removal, installation or other consequential damages of whatsoever nature.

Some states do not allow the exclusion or limitation of incidental or consequential damages. Accordingly, the above limitation may not apply to you.

The warranty extended hereunder is in lieu of any and all other warranties and any implied warranties for a particular purpose is limited in its scope and duration to the terms set forth herein. Some states do not allow limitations on how long an implied warranty lasts. Accordingly, the above limitation may not apply to you. This warranty gives you specific legal rights. You may also have other rights which vary from state to state.



Cover Butlers since 1994

ASM Manufacturing LLC / Cover Butler

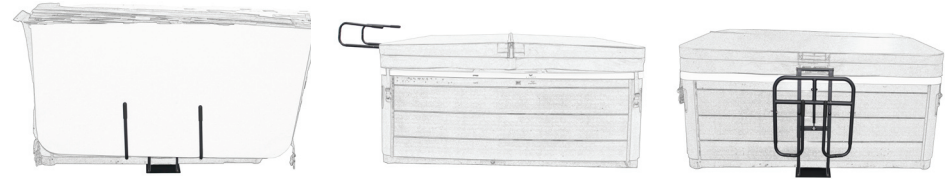
4956 W 6200 S, #312

Kearns, UT 84118

Revision 2/21/2024

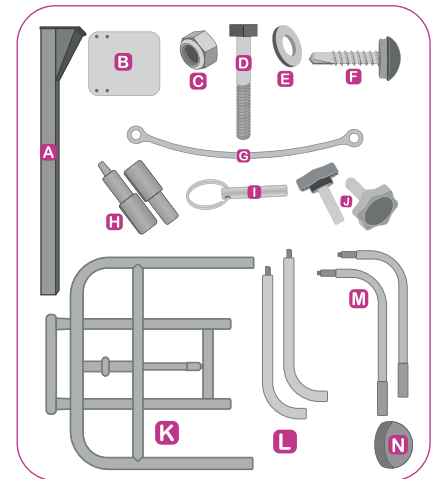
CBSB-1

RACK STYLE UNDER SPA MOUNT HYDRAULIC LIFTER INSTRUCTIONS



PARTS LIST

DESCRIPTION	QTY
A. Support Legs (Left / Right)	2
B. Base Plate	1
C. Nut	2
D. Bolt	4
E. Washer	2
F. Screws	4
G. Locking Cable	1
H. Arm Extensions	2
I. Stopping Pins	2
J. Tightening Bolt	2
K. Lifter Main Frame (RACK)	1
L. Turnable Arms	2
M. Adjustable Arms	2
N. Black Caps	4



Tools Needed: Power/Cordless Drill with Phillips bit, wrench or pliers and tape measure.

Please make sure that you have all the parts from the parts list.

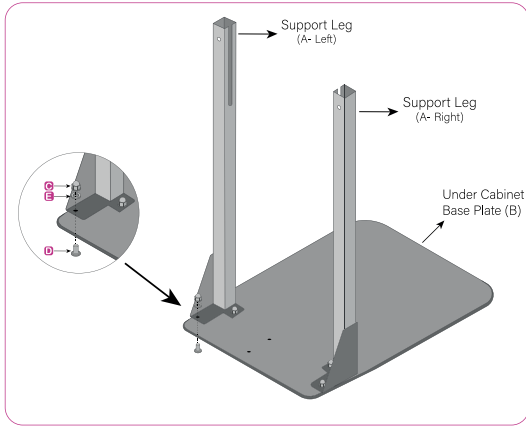
Rack Style cover lift with gas shock assist, defines EASE of spa cover removal. Its design allows for installation on a large range of spa/hot tub cover shapes and sizes including round, octagonal, and spas with large radius or cut corners. The Rack under-mount base plate provides simple installation. A powerful gas spring makes lifting and lowering your spa cover easier.

1. Under Cabinet Base/Legs - Using TWO bolts (D), washer (E) and nuts (C), attach SUPPORT LEGS (A) to the UNDER CABINET BASE (B). Repeat this step for the right and left legs.

NOTE: Confirm the legs are positioned correctly before sliding base plate under the cabinet.

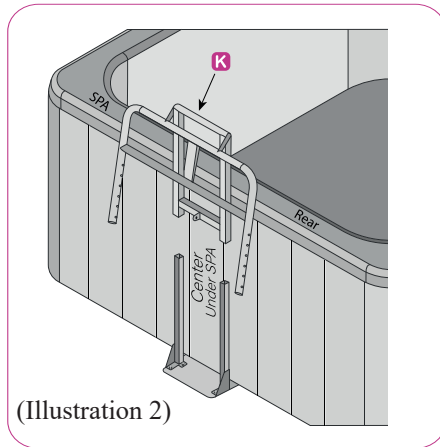
Slightly Lift the spa up. Slide base plate with legs attached under the spa until the legs are flush with the vertical side of the hot tub.

NOTE: Center the cover lifter base on the spa cabinet.



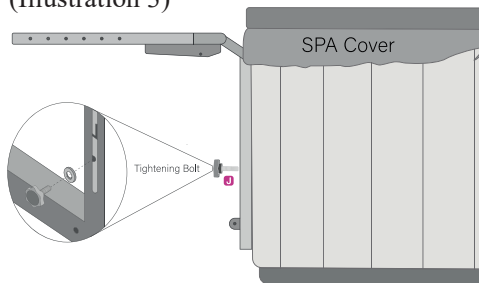
2. The Rack Frame - Insert Lifter Main Frame Rack assembly (K) into the Left and Right Support Legs. Allow cover lifter Rack frame to pivot outwards. Slide the lifter main frame either up or down on the support legs so that the Spa/Hot Tub cover, when slid into the rack, will slide evenly along the top of the spa lip into the rack.

Cover should slide evenly along the top of the spa lip onto the bottom of the cover rack. When Rack bottom is level with spa lip, fasten two tightening bolts (J) into the pre-drilled holes on each side of the support brackets.



(Illustration 2)

(Illustration 3)

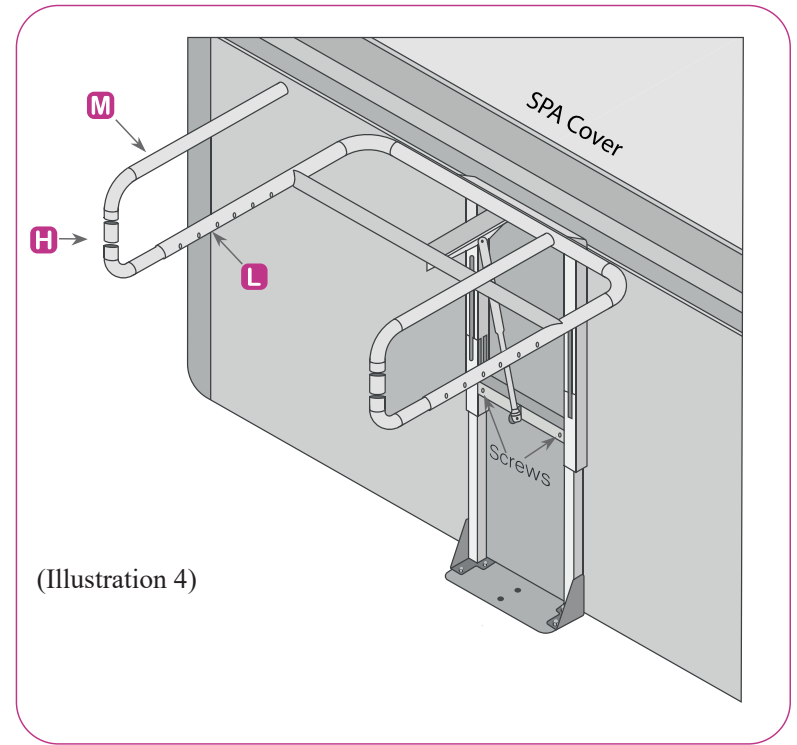


3. Turn-able Cover Arms - Insert the left and right turntable arms (L). Turn the main tube vertical, allowing you to put in the locking pins (G).

NOTE: Confirm both arms are even with one another when installing and not touching ground when lowered. Latching push pins are provided.

Adjust length of the Rack "U" arms so the Rack will not hit the ground when in the closed position. The higher the "U" the higher cover height when in the open position.

Flip the hot tub cover in half and measure thickness to confirm if you need to install arm extensions (H). Repeat on the opposite side. Using the four screws (F), fasten the cover lifter frame to the cabinet. This makes the cover lifter much more sturdy when opening and closing the cover lifter.



(Illustration 4)

Now apply all black PVC caps (N) to screws and bolts. A small dab of glue will help them stay. Locking Cable supplied if you would like to secure the cover lifter in the closed position.

Turn arm can be closed into closed position when spa is not in use. Lock cable supplied(G).

ENJOY YOUR SPA/HOT TUB

